

# MERO Access Floor Type 8 / Glass

## Innovative solutions from one source

Development

Consulting

Planning

Manufacturing

Installation

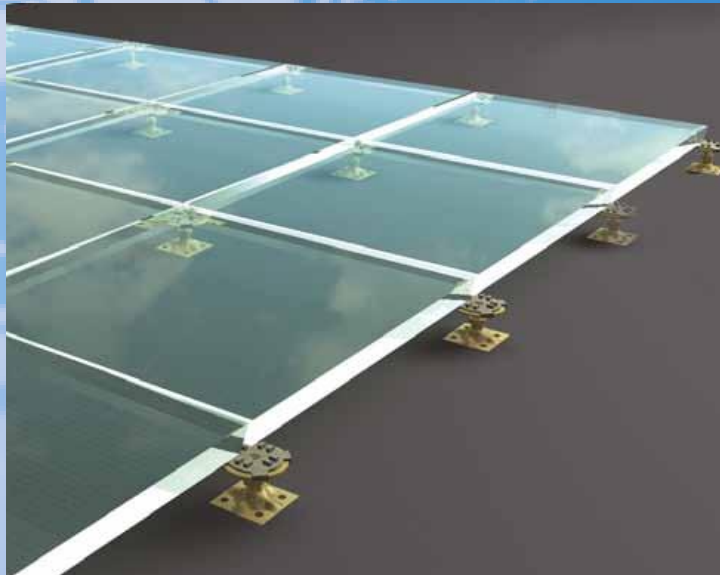
Access floor

Hollow floor

Floor covering and

Installation

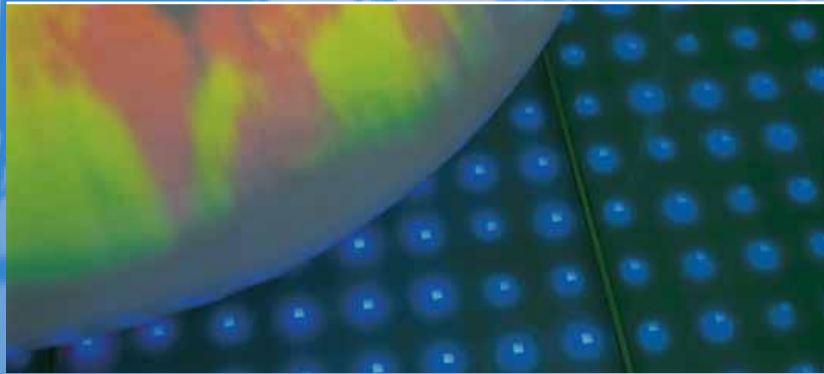
Services



**MERO**  **TSK**

**Floor systems**

# Clear Case: The transparent access floor



Hardly any other building material is trend-setting new design standards in contemporary architecture as glass. The material uniquely combines transparency and bearing strength while taking technical progress and architectural expression into account. The symbiosis of light and glass is forming exciting and impressive creations not only on facades, but also in the interior design. Glass is increasingly also the material that gives the floor elegance and power.

## Application

- The MERO type 8 / glass is suitable for all rooms where exceptional and sophisticated design is required, e.g. in entrance halls
- sales and exhibition facilities
- prestigious reception rooms of enterprises and institutions
- exhibition stands
- and much more

The MERO glass floor can be combined with other floor systems which allow setting up „islands“ for special presentations.

## Advantages

- representative architectural design
- high design flexibility of the glass surface
- high load bearing capacity
- high flexibility
- variable construction heights, on request
- up to 1,000 mm
- the MERO access floor type 8/glass is tested acc. to DIN EN 12825

## Example:

### The Ströer group in Cologne

The headquarters of Germany's leading service provider in the field of outdoor advertising, the Ströer group, had to meet the high standards of the company in regard to design and representation. Beside the lighting effects in the building, visitors are received in the entrance of the building already by an elliptical glass floor that can be illuminated in different colors and immerses the foyer in changing lighting moods. The glass floor is MERO Access Floor Type 8 / Glass.

## Construction principle

### Glass floor

The floor panels MERO type 8 / glass are made of multi-layer safety glass which ensures the necessary stability and vertical strength.

The design of the surface depends on the architectural form of the space, for example round, elliptical, square or honeycomb shaped.

The glass surface can be processed differently. This allows companies to apply logos, pictograms, signage or other motives. In addition, the panel can be provided with non-skid surface.

The panel module is 600 x 600 mm.

The access floor panels are made of laminated safety glass and provided to comply with the current use and the required bearing strength.

For optical changes or at high mechanical stress exchangeable utility and wear plates can be applied.

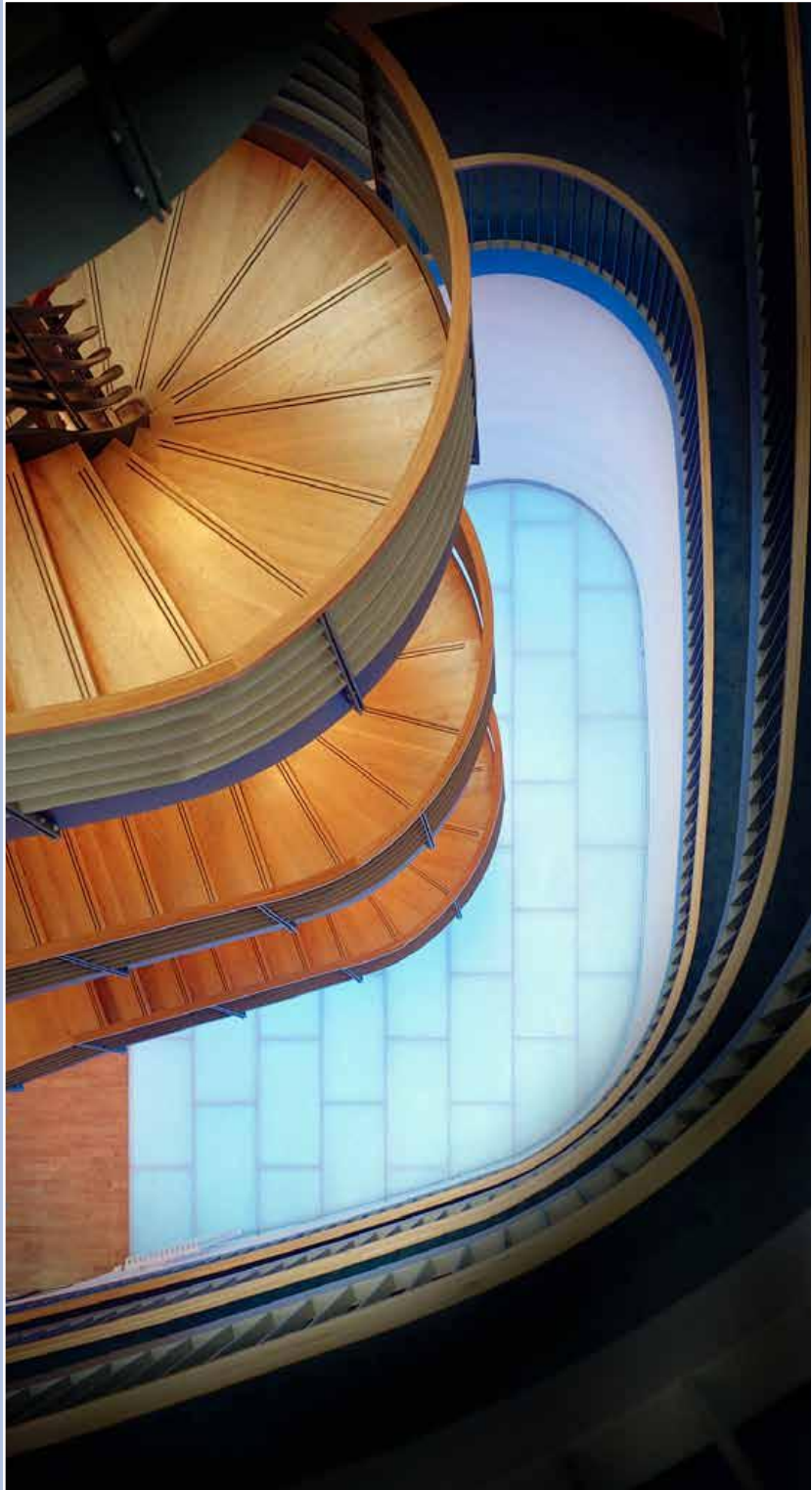




## Construction principle

### Substructure

The MERO substructure is universally applicable. It consists of precision steel pedestals which are continuously height adjustable. All pedestals are protected against corrosion by galvanization and passivation. The pedestal base plates are glued to the raw concrete slab and can be dowelled on request. For fixing and sound insulation of the panels pedestal heads are provided with gaskets. The use of galvanized stringers increases the load bearing capacity as well as the horizontal stability of the whole construction. The stringers can also be retrofitted. The stringers are available as u-type stringer for the horizontal stability or as c-type stringer for increased load bearing capacity and horizontal stability.





# Technical Data\*: Type 8 / Glass



## Accessories:

Cutouts  
Special wall connections  
Fascias  
Exchangeable utility and wear plates  
Bridging's

\*For further technical data please ask for our product data sheets.

## Panel

Dimensions: 600 x 600 mm  
Panel thickness: 36 mm  
Panel surface: Different types available  
System weight: ~ 89 kg/m<sup>2</sup> (floor height 250 mm)  
Panel weight: ~ 31 kg/pc  
Panel material: Laminated safety glass

## Substructure

Module: 600 x 600 mm  
Pedestal material: Galvanized steel  
Construction height: ~ 70 - 525 mm (higher heights possible)  
Recommendation: Stringers should generally be used at a height of > 500 mm, e.g. u-type stringer

## Load values

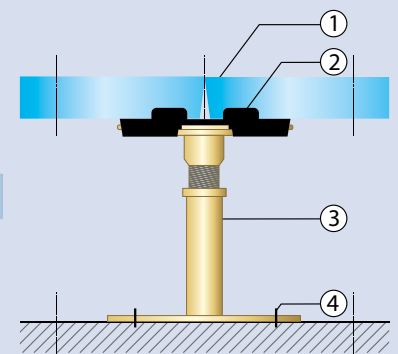
Concentrated load:  
• Acc. to DIN EN 12825 Class 5  
• Nominal load 5.000 N  
• Ultimate load > 10.000 N

## Electrostatic

Glass is an insulator

## Thermal conductivity

Base material: ~ 0,8 W/mk



1. Floor panel
2. Pedestal gasket
3. Pedestal
4. Base plate glued to the subfloor, doweled on request



Head office:  
**MERO-TSK  
International GmbH & Co. KG**  
Max-Mengeringhausen-Str. 5  
D-97084 Würzburg/Germany

Postal address:  
**MERO-TSK  
International GmbH & Co. KG**  
Product Division Floor Systems  
Lauber Straße 11  
D-97357 Prichsenstadt/Germany  
Phone.: +49 (0) 93 83 203-603  
Fax: +49 (0) 93 83 203-629  
E-mail: bodensysteme@mero.de  
Internet: www.mero.de